



**Technocrats in Reaction,  
Filtration & Drying System.**

**W**elcome to SNJ PMECH PVT. LTD. , a leading pharmaceutical Techno-craft company committed to delivering innovative and high-quality solutions to Pharma. Industries around the world.

We are a team of passionate professionals dedicated to improving people's lives through our products and services. Our focus is on developing and manufacturing innovative Machine that address critical unmet Pharma. Industries needs and improving the quality and Production.

At SNJ PMECH PVT. LTD. , we adhere to the highest standards of quality, safety, and ethics, and are committed to creating long-term value for all our stakeholders, including our customers, employees, and society at large.

Our state-of-the-art research and development facilities, coupled with our team of highly experienced Engineers and researchers, enable us to develop cutting-edge pharmaceutical Machinery that meet the needs of Pharm. Industries worldwide. We have a strong portfolio of products:-

- Reactor
- Fermenter
- Pressure Vessels
- Auto Clave
- Storage Tank
- Distillation Column
- Heat Exchanger
- Centrifuge
- Vacuum Tray Dryer
- Air Tray Dryer
- Fluid bed Dryer
- Air Classifier Mill
- Micro Pulverizer
- Hammer Mill
- Blander
- Ultrafine Mill



We believe that collaboration is key to achieving our goals, and we work closely with healthcare providers, patients, and other stakeholders to ensure that our products are accessible and affordable to all those in need.

At SNJ PMECH PVT. LTD, we are committed to making a positive impact on the world and strive to contribute to society in meaningful ways. We are dedicated to sustainability and conduct our business with the highest level of responsibility towards the environment, communities, and people we serve.

Thank you for choosing SNJ PMECH PVT. LTD. as your partner pharmaceutical machinery solutions.

## Mission

our mission is to empower our customers in the pharmaceutical industry by providing them with innovative and reliable machinery solutions that enable them to produce high-quality products efficiently and cost-effectively.

We are committed to excellence in all aspects of our business, from product development and manufacturing to customer service and support. Our goal is to deliver superior value to our customers and help them succeed in their respective markets.

We believe that innovation is key to success in the pharmaceutical industry, and we invest heavily in research and development to develop new and improved machinery solutions that meet the evolving needs of our customers.

We are dedicated to building long-term relationships with our customers based on trust, integrity, and mutual respect. We strive to understand our customers' unique requirements and work closely with them to deliver customized solutions that meet their specific needs.

## Vision

our vision is to become a globally recognized leader in the pharmaceutical machinery industry by delivering innovative, high-quality, and reliable machinery solutions that enable our customers to produce life-saving and life-enhancing products efficiently and cost-effectively.

We aspire to be the preferred partner for our customers in the pharmaceutical industry by delivering unparalleled value, exceptional customer service, and continuous innovation. Our aim is to build long-term relationships with our customers based on trust, integrity, and mutual respect.

We strive to be at the forefront of innovation and technology in the pharmaceutical machinery industry, continually investing in research and development to develop new and improved machinery solutions that meet the evolving needs of our customers.

# REACTORS, FERMENTER & PRESSURE VESSEL



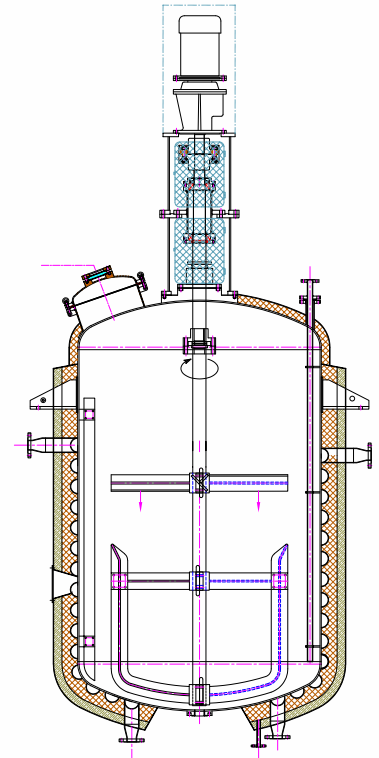
SNJ make Reactor for API, Pharmaceutical, biotech and chemical industry standard or tailor made reactor with heating/ cooling system and customized agitators for the typical sanitary, antiseptic and sterile process.

## Types

- cGMP/Non-GMP jacketed or Limpet coil pre-insulated reactors
- Single & Double Start Limpet coil type Reactor
- Reactor With inside coil type

## Features

- Capacity from 5 liter up to the limitation of road transport.
- Design range from full vacuum up to 30 bar.
- Design Temperature from  $-50^{\circ}\text{C}$  up to  $300^{\circ}\text{C}$
- Heating/cooling by double jacket, Single/double start limpet coil, & dimple jacketed.
- Agitator available with axial flow ,radial or combined double flow.
- FAT, SAT, DQ, IQ & OQ documents.



# HEAT EXCHANGER



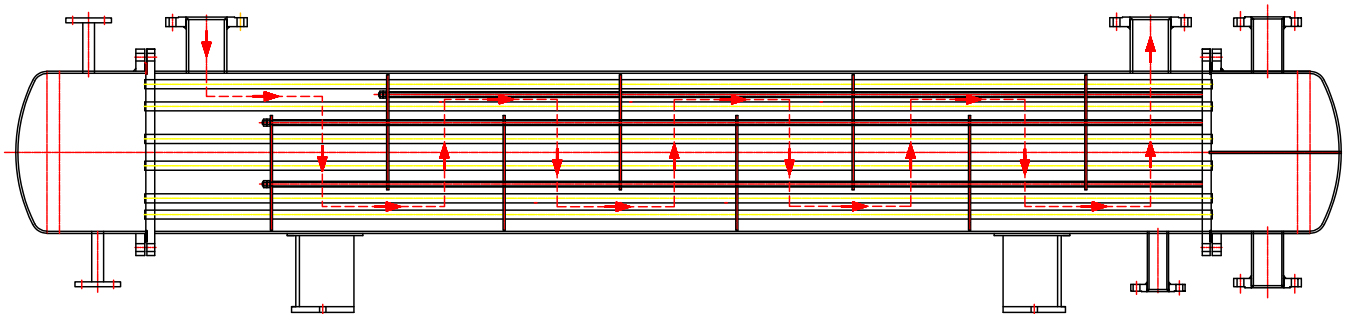
SNJ Designs and Build all kinds of tailor made heat exchangers according to the international mechanical design codes, using design software and according to the particular specification of the client.

## Types

- Shell and tube heat exchanger
- Box type Heat Exchanger
- Condenser, evaporators & Reboilers
- U-bundle type heat exchanger
- Finned type heat exchanger
- Coil type heat exchanger

## Features

- Versatile heat exchanger product range for various industries.
- Leakage-proof & High-quality design and construction with increased efficiency and durability.
- Availability of custom designs based on applications and specific process requirements.
- Scheduled quality assurance testing for every heat exchanger manufactured to ensure the products function properly and meet the client's expectations.



# STORAGE VESSELS & TANKS



SNJ Designs and Build all kinds of tailor made tanks, vessels & receivers etc. according to the international mechanical design codes, using design software and according to the particular specification of the client.

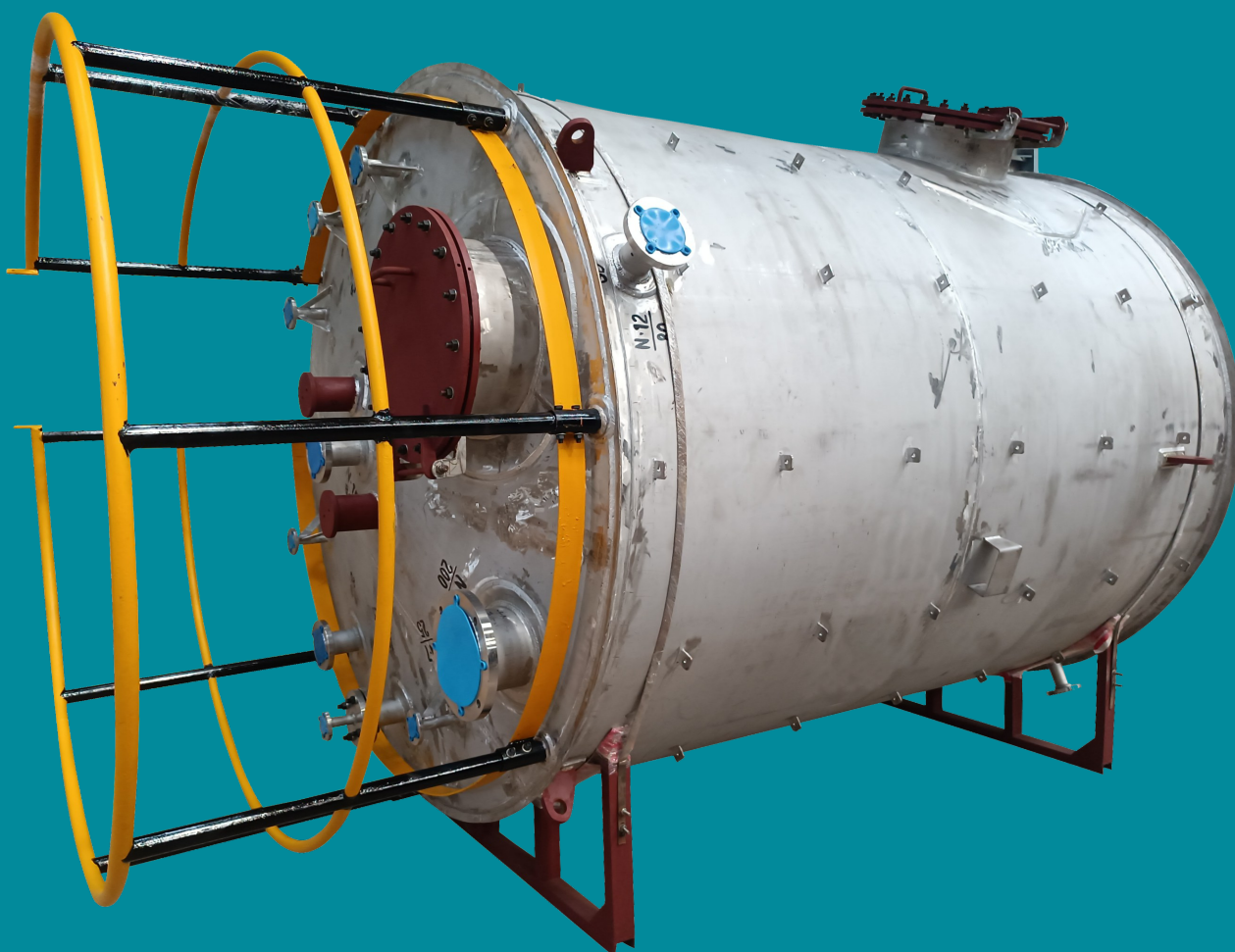
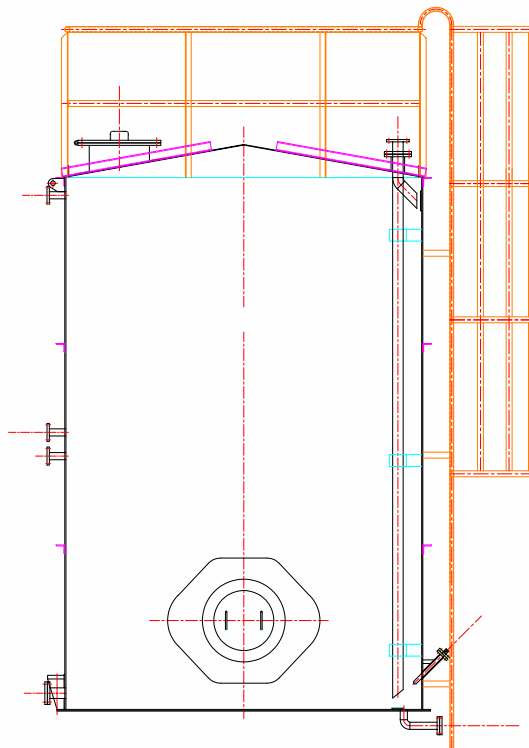
We hold expertise in offering SS Storage Tanks for meeting the process demands of chemical/pharmaceutical industry. We use various material of construction such as MS, Boiler Quality Plates, Stainless Steels, Alloy Steels, MS/Lead bonded & FRP.

## Types

- Vertical/Horizontal dishend storage vessels.
- Vertical conical roof flat bottom storage vessels.
- Storage receiver with limpet coil/jacket.

## Applications

Chemicals, Pharmaceuticals, Food Products,  
Dairy & others.



# DISTILLATION COLUMN



SNJ Designs and Manufactures all kinds of distillation columns and evaporators according to the international mechanical design codes, using ultimate design software and according to the particular specification of the client.

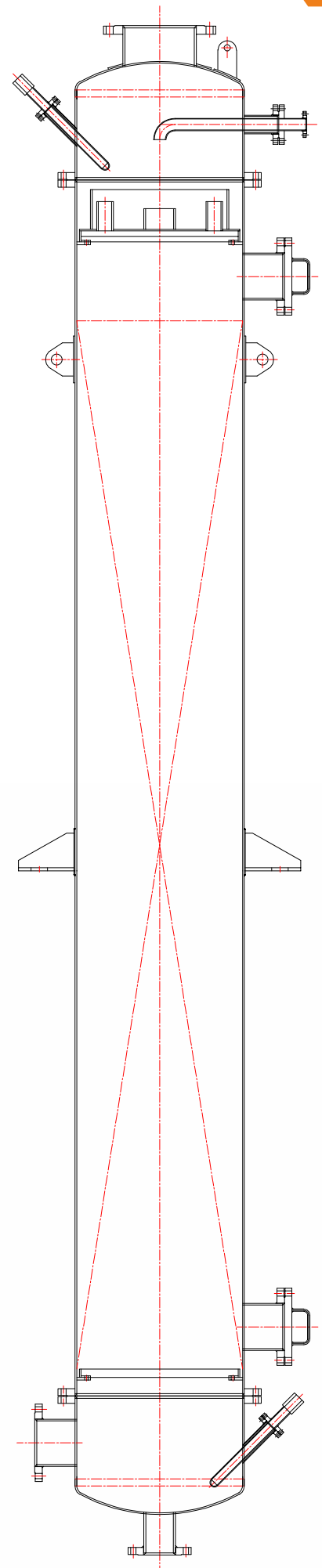
A DISTILLATION COLUMN is an essential item used in distillation of liquid mixtures so as to separate the mixture into its component parts, or fractions, based on the differences in volatilities. Fractionating columns are used in small scale laboratory distillations as well as for large-scale industrial distillations.

## Material of Construction (MOC) Offered: -

CS (IS 2062 Gr A/B, SA 516 Gr 60/70, BQ),

SS 316, SS 304, SS 316 L, SS 304 L, SS 310,

MONEL, INCONEL, TITANIUM, HASTALLOY, ETC.



# VACUUM TRAY DRYER

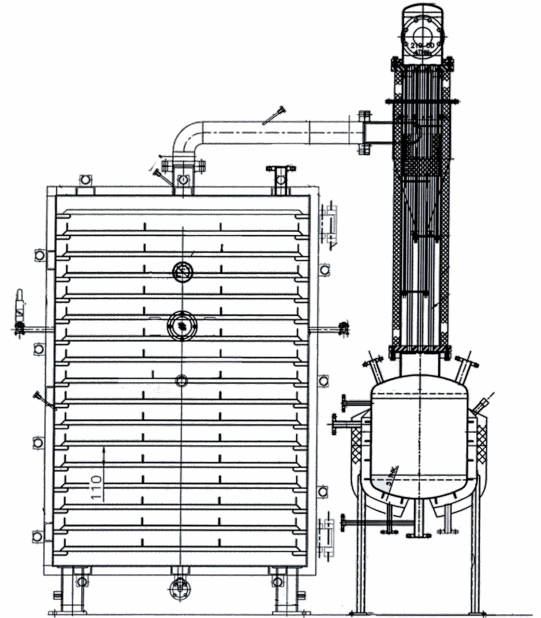


SNJ Designs and Manufactures Vacuum tray dryer.it suitable for drying of thermal sensitive material easily resolved, polymerized or deteriorated under temperature .sterilization can be conducted prior to the drying process, during which no matter is allowed to enter the product. Static vacuum dryer eliminates the configuration damage of drying materials, there for widely used in pharmaceutical, chemical and foodstuff etc...

## Features:

- Very Efficient heat sensitive
- The average drying temperature is much lower than standard dryers
- Faster Drying due to Large Surface Area
- Gives High Quality Dried Material
- Uniform Heating Flow
- Chamber provided with Vacuum break Valve
- Equipped with nitrogen purge nozzle, validation ports
- Quality of dries material is better than that of the regular dryers

**Capacity :** 6 trays ,12 trays ,24 trays ,48 trays,96 trays.



# AIR TRAY DRYER



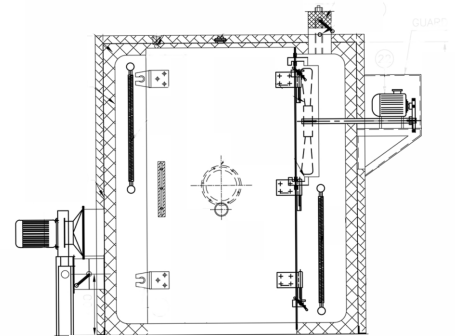
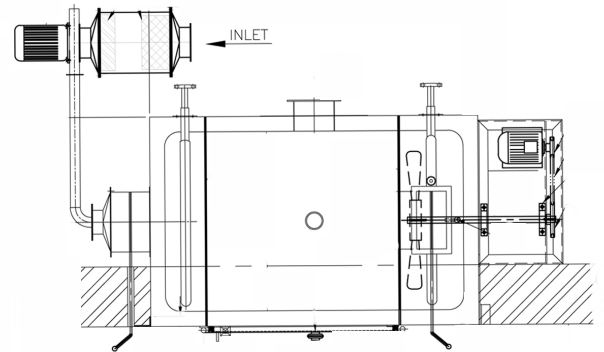
SNJ Designs and Manufactures air tray dryer. Air tray dryer is a very precisely built equipment to extract moisture from various material in pharmaceuticals, chemical & food stuff as well as many more other industries. It is a specially designed chamber/cabinet based dryer which works hot air circulation.

## Features:

- Model available from 6 trays to 96 trays.
- Available in Standard mild steel construction as well as cGMP SS construction.
- Available with electrical, steam or thermic fluid heating facility.
- Offers uniform temperature inside the drying chamber with minimum temperature difference between hot and cold zone temperature.
- PLC based control panel with printing facility can be provided.
- Leak proof door sealing for efficient drying of products.
- Std./ cGMP Model With Documentation (IQ, DQ, PQ, OQ) - As Option.

## Capacity:

6 trays ,12 trays , 24 trays,48 trays,96 trays.





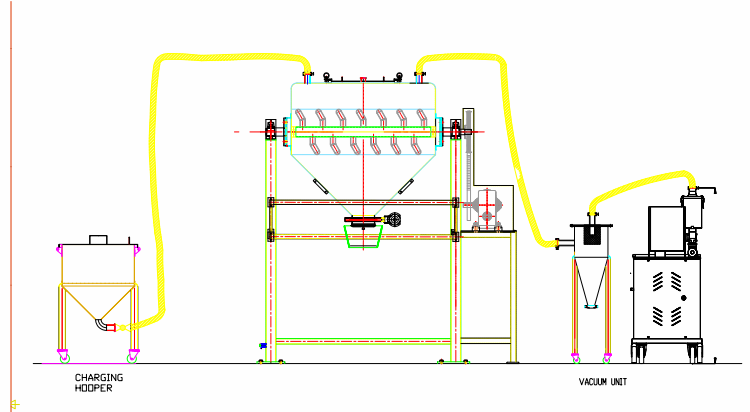
# BLENDER



SNJ Designs and Manufactures blender. Blender which is an efficient and versatile blending machine for mixing process of dry granules homogeneously. It can be used for pharmaceuticals, chemical & cosmetic product etc...

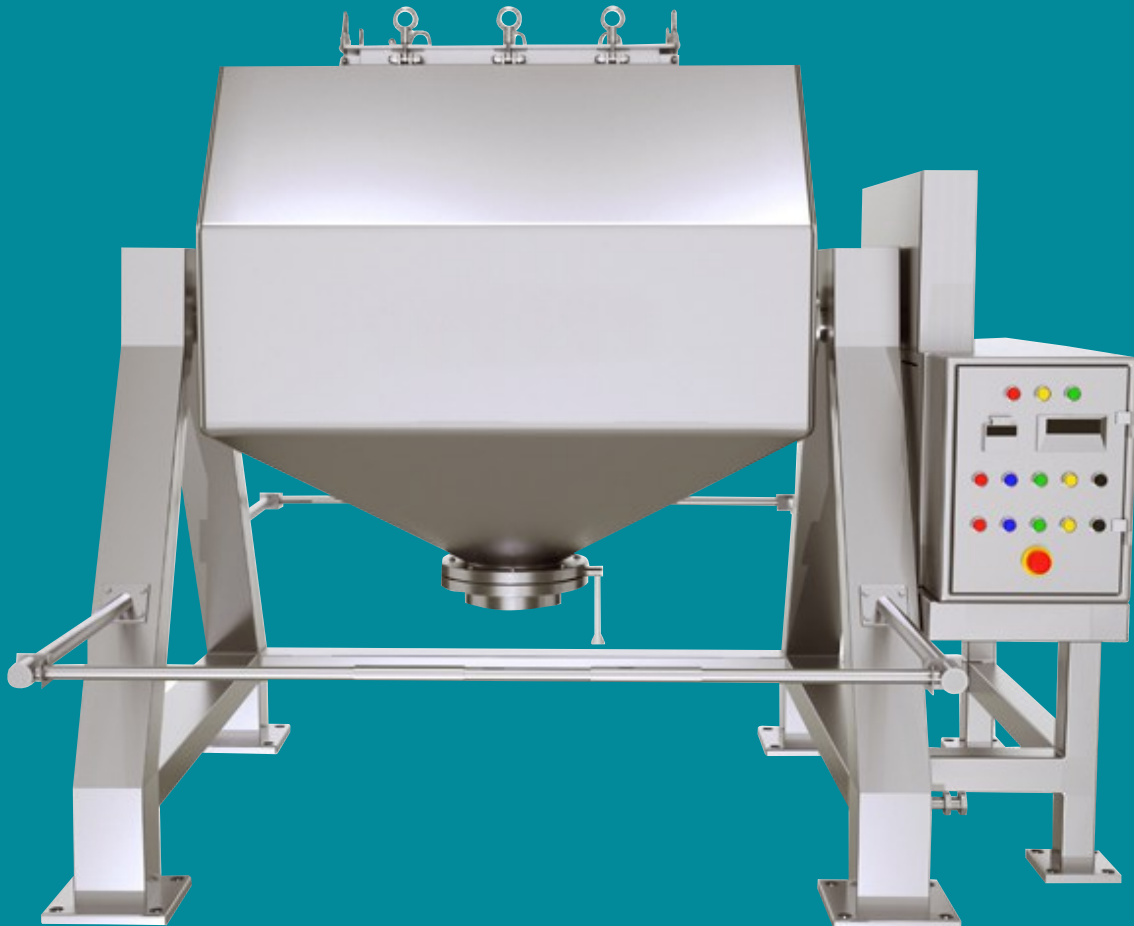
## Features:

- Suitable For Quick And Efficient Mixing For A Complete Range Of Powders, Particulate And Granular Materials.
- Homogeneous Mix. Gentle Tumbling Action With A Specially Designed Baffle.
- Easy Charging Of Materials through S.S. Bins.
- MOC - S.S. 304/ 316/ 316 L.
- S.S. Octagon Type Body with Rectangular Central Portion Top And Circular Bottom With A Butterfly Valve.
- Limit switch for safety purpose.
- Std./ cGMP Model With Documentation (IQ, DQ, PQ, OQ) - As Option.



## Capacity:

500 liter to 5000 liters.





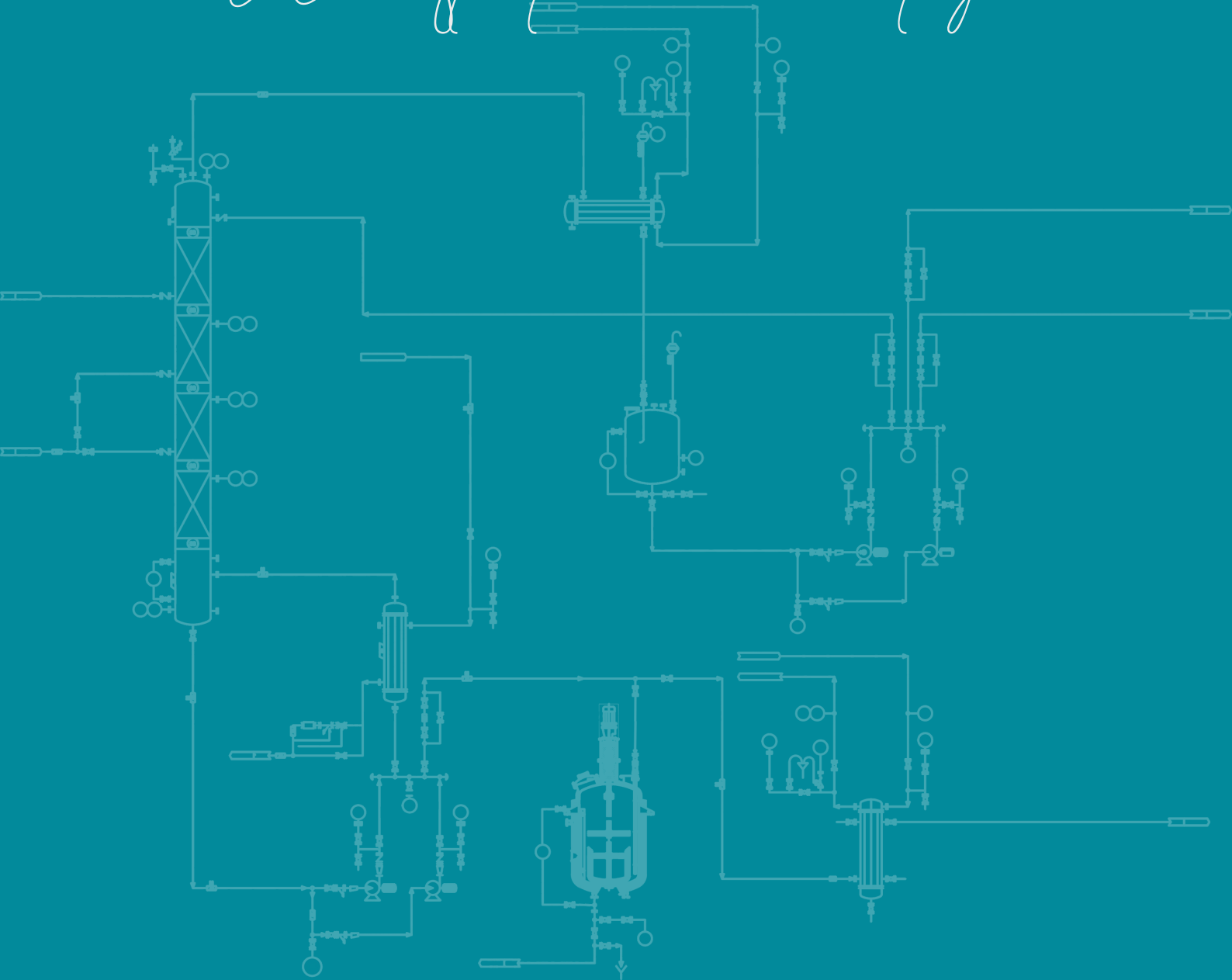
The Manufacturing area is well equipped with adequate Plant & Machinery for the fabrication of Pharmaceutical Equipments, and good engineering practice is followed -

- Inverter Welding Machine
  - Plasma (Plate) Cutting Machine
  - Water Transfer Pump
  - Pipe Cutting Machine
  - Lathe Machine
  - EOT Crane
  - Key Way Machine
  - Bench Grinder
  - Grinder Machine
  - Drilling Machine
  - Polishing Machine
  - Polishing Shaft Motor
  - Pre-Punching Rolling Machine
  - Hydro Test Pump
  - Manual & Electric Air Compressor
  - Hydraulic Bending Machine
  - Hydraulic Press C Type - 150 Ton
- 
- **Adherence to ASME, API and TEMA standards**
  - **Rolling Machine. Drilling Machine, Inverter Welding Machine, Plasma Plate cutting Machine**
  - **In-house draughtsman**
  - **Lifting Cranes, Moving Cranes etc for easy and safe handling of Equipments**
  - **Labour Contractors too employed in case of expediting delivery & production (for urgent purpose)**
  - **Adequate water supply & storage facility**
  - **Internal as well as external third party inspection a routine practice**
  - **Clean, Safe and Eco Friendly work environment.**



**STRENGTH**  
**DURABILITY**  
**POWER STABILITIES SOLIDITY**

*We craft with mechanical mastery.*



**SNJ**®

**PMECH PVT. LTD.**

ISO 9001:2015 CERTIFIED CO.

☎ +91 99257 69182

📍 Plot No. 1, 9 & 10, Mahadev Industrial-2,  
B/h.Sacha Techno Forge At & Post. Padavala,  
Ta. Kotdasangani, Dist, Rajkot, Gujarat 360024

✉ sales@snjpmech.com

🌐 www.snjpmech.com